



**TANDEM™**  
DIABETES CARE

## Infusion Sets with t:lock Connector



We offer a variety of choices in cannula materials, tubing lengths, insertion angles and insertion techniques to meet the unique needs of Tandem insulin pump users.

### Now featuring the t:lock™ connector

The new t:lock™ connector was designed based on direct customer feedback related to the process of filling infusion sets with insulin. The new design:

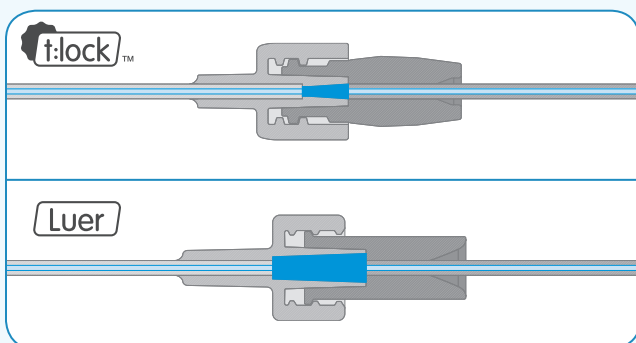


*Reduces the time required to fill infusion sets by 30 seconds*

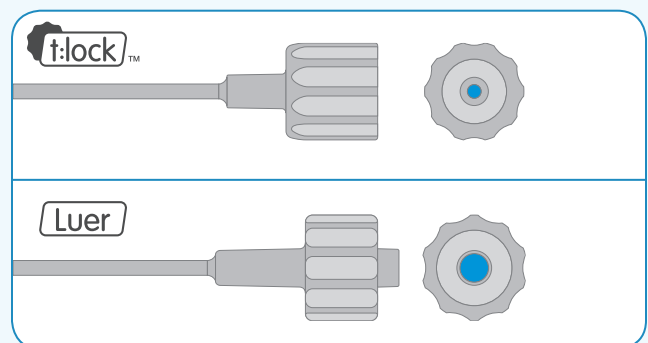


*Lowers the amount of insulin used in the fill process by 4.4 units*

CROSS SECTION OF CONNECTORS

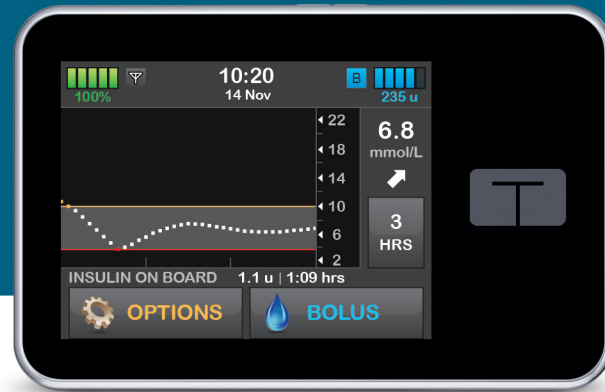


GRIPS AND INNER DIAMETER





## Infusion Sets with t:lock Connector



Finding the right infusion set is an important part of successful insulin pump therapy, which is why we offer many choices.

### AutoSoft™ 90 Infusion Set

The AutoSoft 90 infusion set is our most popular all-in-one infusion set. The 90-degree soft cannula is pre-loaded in an automatic spring inserter to make one-handed insertions quick and easy, even in hard to reach areas. It is available in blue, pink, and grey.

- » Reversible connector makes reconnection simple
- » Large grip areas on connector for easier disconnection
- » Visible inspection of the point of insertion

	Part Number	Cannula Length	Tubing Length	Connector Type	Quantity
GREY	1002817	6mm	23"	t:lock	10 ea.
	1002818	6mm	43"	t:lock	10 ea.
	1002819	9mm	23"	t:lock	10 ea.
	1002820	9mm	43"	t:lock	10 ea.
PINK	1002821	6mm	23"	t:lock	10 ea.
	1002822	9mm	23"	t:lock	10 ea.
BLUE	1002823	6mm	23"	t:lock	10 ea.
	1002824	9mm	23"	t:lock	10 ea.

90°  
Soft



Preloaded insertion device



30°  
Soft

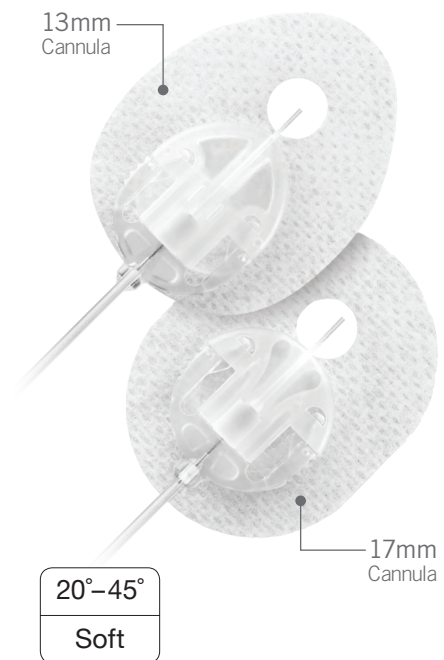
Preloaded insertion device

### AutoSoft™ 30 Infusion Set

The AutoSoft 30 infusion set is Tandem's all-in-one angled infusion set with a disposable integrated insertion device. The inserter ensures a 30-degree angle with each insertion and the reversible connector makes reconnecting fast and easy.

- » Flexible soft cannula
- » Transparent window at insertion point
- » Preferred by active individuals, lean adults, and children

Part Number	Cannula Length	Tubing Length	Connector Type	Quantity
1002825	13mm	23"	t:lock	10 ea.
1002826	13mm	43"	t:lock	10 ea.



20°-45°  
Soft

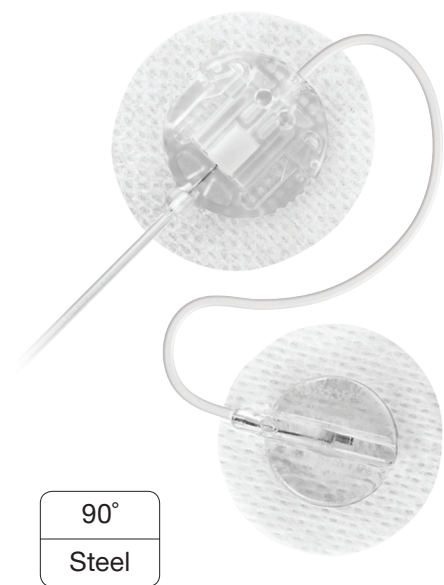
### VariSoft™ Infusion Set

The VariSoft infusion set allows users to choose their most comfortable insertion angle (20 to 45-degrees). This infusion set is easy-to-insert, discreet with its low profile, and convenient to detach with at-site disconnection. Preferred by those who are lean and lead an active lifestyle.

Part Number	Cannula Length	Tubing Length	Connector Type	Quantity
1002827	13mm	23"	t:lock	10 ea.
1002828	13mm	32"	t:lock	10 ea.
1002830	17mm	23"	t:lock	10 ea.
1002832	17mm	43"	t:lock	10 ea.

### TruSteel™ Infusion Set

The TruSteel Infusion Set features a very fine, 29-gauge, 90-degree stainless steel needle for those who prefer the reliability of steel sets but don't want to compromise on comfort. With its additional adhesive pad, TruSteel provides extra security against needle dislodging. Its simplicity and security make this a good choice for those who have reactions to plastic cannulas, and those with a history of bent cannulas.



90°  
Steel

Part Number	Cannula Length	Tubing Length	Connector Type	Quantity
1002833	6mm	23"	t:lock	10 ea.
1002834	6mm	32"	t:lock	10 ea.
1002835	8mm	23"	t:lock	10 ea.
1002836	8mm	32"	t:lock	10 ea.

## Same Sets, New Names

The name of the infusion set may have changed, but the set is the same. Tandem Diabetes Care™ infusion sets are made by Unomedical, the company that manufactures the majority of the infusion sets sold by major insulin pump manufacturers. In most cases the sets are identical and just labeled under a specific company's brand. Below is a list of common sets and the equivalent t:lock infusion set brand name.

Current Infusion Sets (made by Unomedical)	t:lock Infusion Set Equivalent
Animas Inset II	AutoSoft 90
Animas Inset 30	AutoSoft 30
Animas comfort and comfort short	VariSoft
Animas contact detach	TruSteel
Medtronic MiniMed Mio	AutoSoft 90
Medtronic MiniMed Mio 30	AutoSoft 30
Medtronic MiniMed Silhouette (manual insertion)	VariSoft
Medtronic MiniMed Sure-T	TruSteel

The following sets do not have an exact t:lock infusion set equivalent. The t:lock set that most closely matches these options are listed instead.

Other Infusion Sets	Recommended t:lock Set
Medtronic MiniMed Mio Advance	AutoSoft 90
Medtronic MiniMed Quick-set	AutoSoft 90
Medtronic MiniMed Silhouette with Inserter	AutoSoft 30
Roche Accu-Chek Ultraflex	AutoSoft 90
Roche Accu-Chek Rapid-D	TruSteel
Smiths Medical Cleo 90	AutoSoft 90
Ypsomed Orbit Micro Infusion Set	TruSteel
Ypsomed Orbit Soft Infusion Set	AutoSoft 90



(833) 509-3598  
tandemdiabetes.ca

t:simulator App  
A demo as simple as our pumps!



FOR USE IN  
CANADA ONLY

